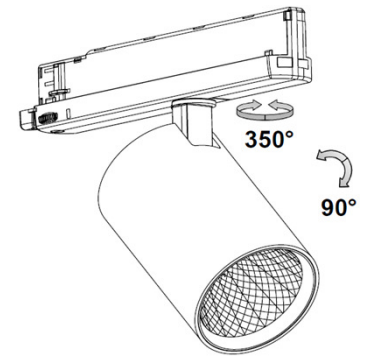
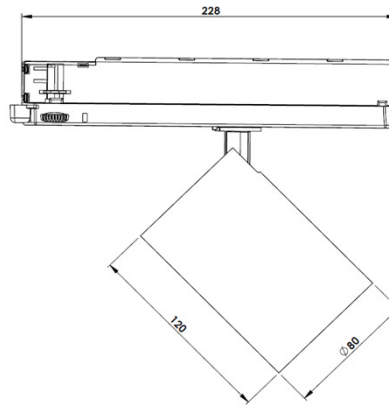


BTO- IN Track



BTO 75 IN TRACK - Art.Nr.:1.41279 - SLM G7 LES 15 PW 830_700mA_3488 lm_28 W_Ta 25°C

lightsource	Lichtquelle	Philips SLM C 830 PW 1208 L15 2024 G7	
Adapter / Driver	Adapter / Vorschaltgerät	GA-016_G2 / 22-36W / 230V	
Track	Stromschiene	Globaltrac Pro XTS /XTSF	
Efficiency Fixture	Effizienz Leuchtensystem	123	(lm/W) @Tc 62°C
Efficiency LED	Effizienz LED	156	(lm/W)@Tc 62°C
LOR Reflector	Wirkungsgrad Reflektor	93%	(% / Average)
Reflectors	Reflektoren	~19°, 24°, 33°, 64°	FWHM / Total beam angle (°)
Reflector Finish	Reflektoren Veredelung	Alanod Miro Silver_ 98% reflectivity	
Reflector Design	Reflektoren Design	ULTRA	
Total Power Consumption	Anschlussleistung Leuchte	28	(Watt)
LED Power	LED Leistung	24	(Watt)
Initial Lumen LED	Lichtstrom LED warm	3750	(Lumen @Tc 62°C)
Initial Lumen fixture	Lichtstrom Leuchte warm	3488	(Lumen @Tc 62°C)
Luminaire colors	Leuchten Farben	white, black, silver	

Color Temperature	Farbtemperatur	3000	(K)
Color rendering Index - CRI	Farbwiedergabe Typisch	82	(CRI - Ra)
Color stability - Binning	Farbstabilität McAdam	3-Step McAdam	McAdam
Spectrum	Spektrum	Premium White	Premium White
Infrared radiation	Infrarotstrahlung	<1	%
UV radiation	UV-Strahlung	0	%

Dimming Capability	Regelbarkeit	/	
Dimming range	Dimmbar	/	
protection class	Schutzklasse	1	
IP rating	Schutzart	IP20	

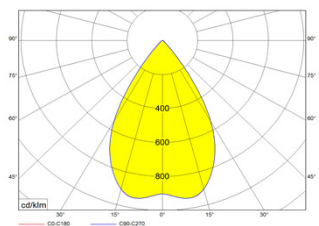
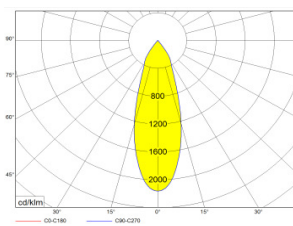
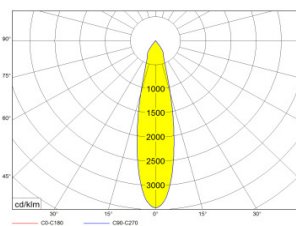
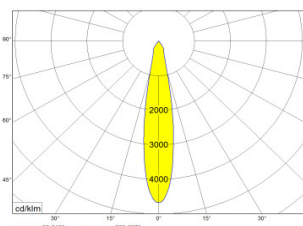
start up time	Anlaufzeit	<1	(Sekunden/seconds)
overload protection	Überlastschutz	<input checked="" type="checkbox"/>	
short-circuit proof	Kurzschlusschutz	<input checked="" type="checkbox"/>	
voltage feed	Spannungsversorgung	220 - 240V +/- 10%	50- 60 Hz

ambient temperature	Umgebungstemperatur	0° - 30°C	Typical Ta 25°C
cooling	Kühlung	Passiv	

warranty	Garantie	5	Jahre / Years
Extrapolation TC-Life LED	Hochrechnung TC-Life LED	44'000 h / TC 62°C / L90B10 / Ta 25°C	
Extrapolation TC-Life Driver	Hochrechnung TC-Life Driver	7 Years - 3% failure rate@19hrs/day 10 Years - 5% failure rate@13hrs/day	@ TC 85°C / Ta -20°C - 35°C @ TC 85°C / Ta -20°C - 35°C
		F - 114991S01388	WFL - 115734S01387

SP - 115355S01397

M - 115356S01388



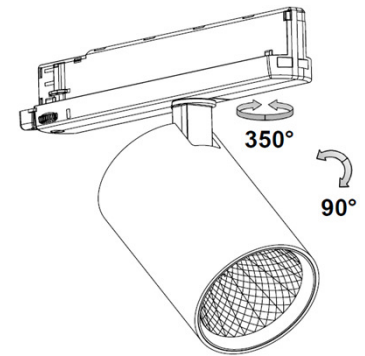
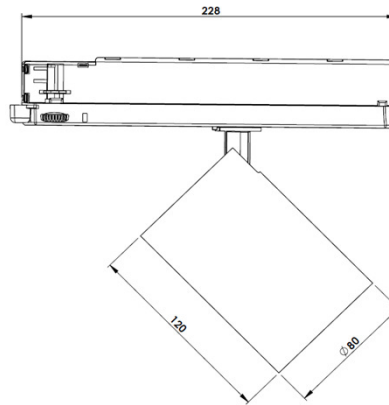
Other configurations are available on request

The technical data represent rated values for an ambient temperature of 25°C. The data values for the luminous flux are initially subject to a tolerance of +/- 10%, those for the electrical connected load are initially subject to a tolerance of +/- 10%, those for the CRI +/- 1.5 and those for the colour temperature are initially subject to a tolerance of +/- 150 K. No liability is assumed for typographical or printing errors

Technische Änderungen vorbehalten / Technical specifications are subject to optimize

V1 Stand 03.12.2018

BTO- IN Track



BTO 75 IN TRACK - Art.Nr.:1.41279 - SLM G7 LES 15 PW 930_700mA_2970 lm_28 W_Ta 25°C

lightsource	Lichtquelle	Philips SLM C 830 PW 1208 L15 2024 G7	
Adapter / Driver	Adapter / Vorschaltgerät	GA-016_G2 / 22-36W / 230V	
Track	Stromschiene	Globaltrac Pro XTS /XTSF	
Efficiency Fixture	Effizienz Leuchtensystem	105	(lm/W) @Tc 62°C
Efficiency LED	Effizienz LED	133	(lm/W)@Tc 62°C
LOR Reflector	Wirkungsgrad Reflektor	93%	(% / Average)
Reflectors	Reflektoren	~19°, 24°, 33°, 64°	FWHM / Total beam angle (°)
Reflector Finish	Reflektoren Veredelung	Alanod Miro Silver_ 98% reflectivity	
Reflector Design	Reflektoren Design	ULTRA	
Total Power Consumption	Anschlussleistung Leuchte	28	(Watt)
LED Power	LED Leistung	24	(Watt)
Initial Lumen LED	Lichtstrom LED warm	3194	(Lumen @Tc 62°C)
Initial Lumen fixture	Lichtstrom Leuchte warm	2970	(Lumen @Tc 62°C)
Luminaire colors	Leuchten Farben	white, black, silver	

Color Temperature	Farbtemperatur	3000	(K)
Color rendering Index - CRI	Farbwiedergabe Typisch	92	(CRI - Ra)
Color stability - Binning	Farbstabilität McAdam	3-Step McAdam	McAdam
Spectrum	Spektrum	Premium White	Premium White
Infrared radiation	Infrarotstrahlung	<1	%
UV radiation	UV-Strahlung	0	%

Dimming Capability	Regelbarkeit	/	
Dimming range	Dimmbar	/	
protection class	Schutzklasse	1	
IP rating	Schutzart	IP20	

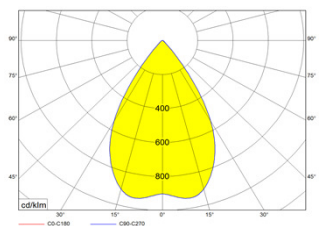
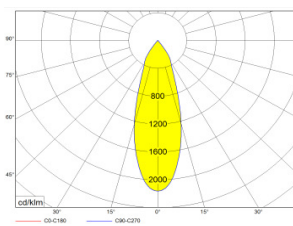
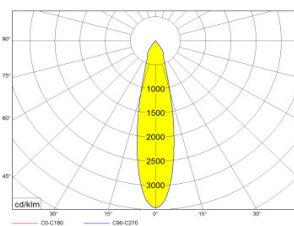
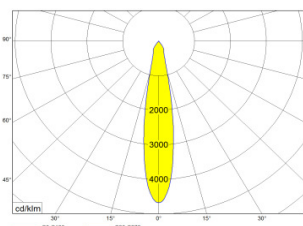
start up time	Anlaufzeit	<1	(Sekunden/seconds)
overload protection	Überlastschutz	<input checked="" type="checkbox"/>	
short-circuit proof	Kurzschlusschutz	<input checked="" type="checkbox"/>	
voltage feed	Spannungsversorgung	220 - 240V +/- 10%	50- 60 Hz

ambient temperature	Umgebungstemperatur	0° - 30°C	Typical Ta 25°C
cooling	Kühlung	Passiv	

warranty	Garantie	5	Jahre / Years
Extrapolation TC-Life LED	Hochrechnung TC-Life LED	44'000 h / TC 62°C / L90B10 / Ta 25°C	
Extrapolation TC-Life Driver	Hochrechnung TC-Life Driver	7 Years - 3% failure rate@19hrs/day 10 Years - 5% failure rate@13hrs/day	@ TC 85°C / Ta -20°C - 35°C @ TC 85°C / Ta -20°C - 35°C
		F - 114991S01388	WFL - 115734S01387

SP - 115355S01397

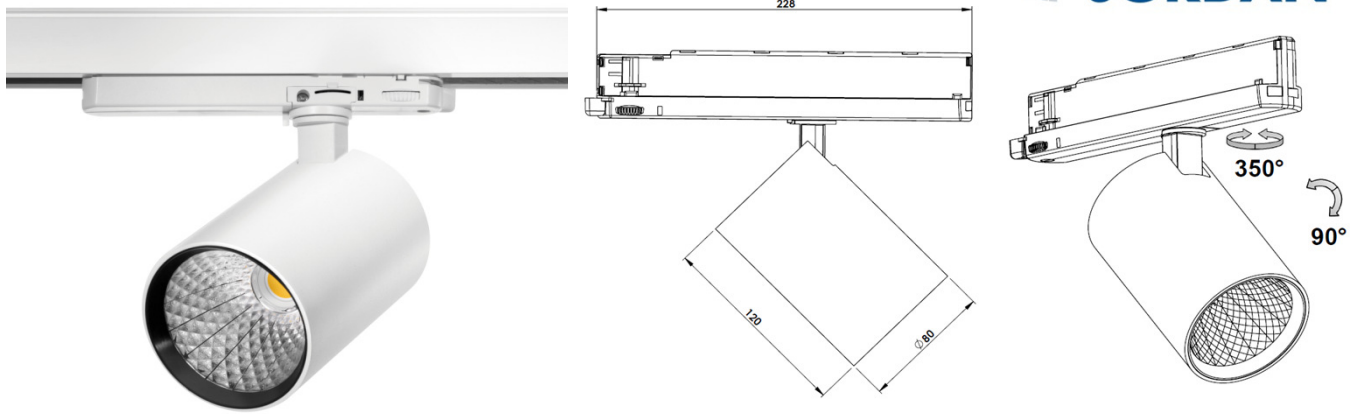
M - 115356S01388



Other configurations are available on request

The technical data represent rated values for an ambient temperature of 25°C. The data values for the luminous flux are initially subject to a tolerance of +/- 10%, those for the electrical connected load are initially subject to a tolerance of +/- 10%, those for the CRI +/- 1.5 and those for the colour temperature are initially subject to a tolerance of +/- 150 K. No liability is assumed for typographical or printing errors
Technische Änderungen vorbehalten / Technical specifications are subject to optimize

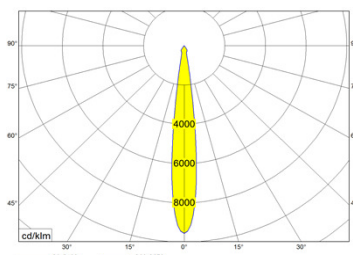
BTO- IN Track



BTO 75 IN TRACK - Art.Nr.:1.41279 - SLM G7 LES 9 PW 830_700mA_2730 lm_31 W_Ta 25°C

lightsource	Lichtquelle	Philips SLM C 830 PW 1204 L9 1619 G7	
Adapter / Driver	Adapter / Vorschaltgerät	GA-016_G2 / 22-36W / 230V	
Track	Stromschiene	Globaltrac Pro XTS /XTSF	
Efficiency Fixture	Effizienz Leuchtensystem	98	(lm/W) @Tc 62°C
Efficiency LED	Effizienz LED	113	(lm/W)@Tc 62°C
LOR Reflector	Wirkungsgrad Reflektor	93%	(% / Average)
Reflectors	Reflektoren	~ 13°	FWHM / Total beam angle (°)
Reflector Finish	Reflektoren Veredelung	Alanod Miro Silver_ 98% reflectivity	
Reflector Design	Reflektoren Design	ULTRA	
Total Power Consumption	Anschlussleistung Leuchte	31	(Watt)
LED Power	LED Leistung	26	(Watt)
Initial Lumen LED	Lichtstrom LED warm	2933	(Lumen @Tc 62°C)
Initial Lumen fixture	Lichtstrom Leuchte warm	2728	(Lumen @Tc 62°C)
Luminaire colors	Leuchten Farben	white, black, silver	
Color Temperature	Farbtemperatur	3000	(K)
Color rendering Index - CRI	Farbwiedergabe Typisch	82	(CRI - Ra)
Color stability - Binning	Farbstabilität McAdam	3-Step McAdam	McAdam
Spectrum	Spektrum	Premium White	Premium White
Infrared radiation	Infrarotstrahlung	<1	%
UV radiation	UV-Strahlung	0	%
Dimming Capability	Regelbarkeit	/	
Dimming range	Dimmbar	/	
protection class	Schutzklasse	1	
IP rating	Schutzart	IP20	
start up time	Anlaufzeit	<1	(Sekunden/seconds)
overload protection	Überlastschutz	<input checked="" type="checkbox"/>	
short-circuit proof	Kurzschlusschutz	<input checked="" type="checkbox"/>	
voltage feed	Spannungsversorgung	220 - 240V +/- 10%	50- 60 Hz
ambient temperature	Umgebungstemperatur	0° - 30°C	Typical Ta 25°C
cooling	Kühlung	Passiv	
warranty	Garantie	5	Jahre / Years
Extrapolation TC-Life LED	Hochrechnung TC-Life LED	44'000 h / TC 62°C / L90B10 / Ta 25°C	
Extrapolation TC-Life Driver	Hochrechnung TC-Life Driver	7 Years - 3% failure rate@19hrs/day 10 Years - 5% failure rate@13hrs/day	@ TC 85°C / Ta -20°C - 35°C @ TC 85°C / Ta -20°C - 35°C

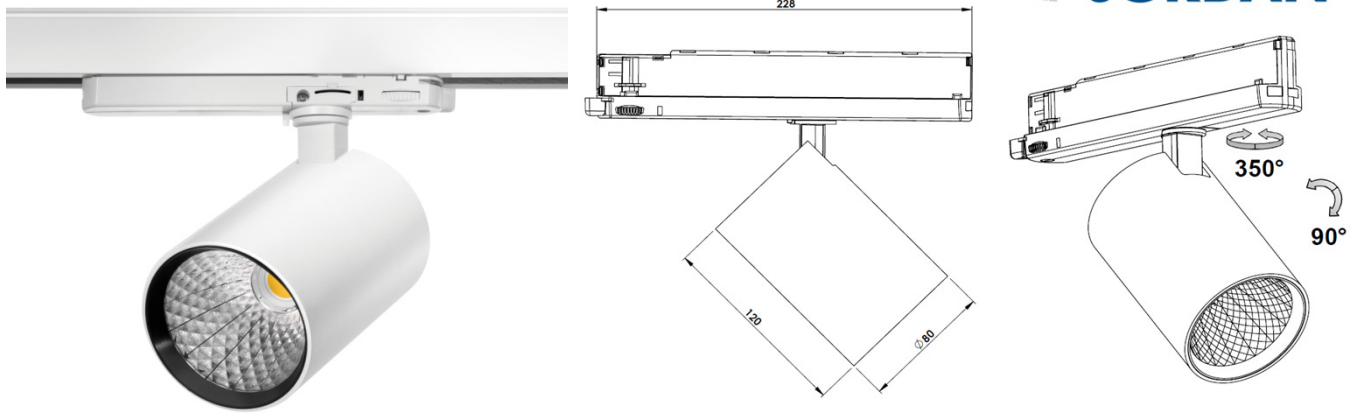
SSP - 115355S01397



Other configurations are available on request

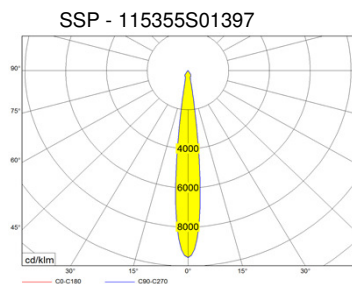
The technical data represent rated values for an ambient temperature of 25°C. The data values for the luminous flux are initially subject to a tolerance of +/- 10%, those for the electrical connected load are initially subject to a tolerance of +/- 10%, those for the CRI +/- 1.5 and those for the colour temperature are initially subject to a tolerance of +/- 150 K. No liability is assumed for typographical or printing errors
Technische Änderungen vorbehalten / Technical specifications are subject to optimize

BTO- IN Track



BTO 75 IN TRACK - Art.Nr.:1.41279 - SLM G7 LES 9 PW 930_700mA_2285 lm_31 W_Ta 25°C

lightsource	Lichtquelle	Philips SLM C 930 PW 1204 L9 1619 G7	
Adapter / Driver	Adapter / Vorschaltgerät	GA-016_G2 / 22-36W / 230V	
Track	Stromschiene	Globaltrac Pro XTS /XTSF	
Efficiency Fixture	Effizienz Leuchtensystem	82	(lm/W) @Tc 62°C
Efficiency LED	Effizienz LED	95	(lm/W)@Tc 62°C
LOR Reflector	Wirkungsgrad Reflektor	93%	(% / Average)
Reflectors	Reflektoren	~ 13°	FWHM / Total beam angle (°)
Reflector Finish	Reflektoren Veredelung	Alanod Miro Silver_ 98% reflectivity	
Reflector Design	Reflektoren Design	ULTRA	
Total Power Consumption	Anschlussleistung Leuchte	31	(Watt)
LED Power	LED Leistung	26	(Watt)
Initial Lumen LED	Lichtstrom LED warm	2456	(Lumen @Tc 62°C)
Initial Lumen fixture	Lichtstrom Leuchte warm	2284	(Lumen @Tc 62°C)
Luminaire colors	Leuchten Farben	white, black, silver	
Color Temperature	Farbtemperatur	3000	(K)
Color rendering Index - CRI	Farbwiedergabe Typisch	92	(CRI - Ra)
Color stability - Binning	Farbstabilität McAdam	3-Step McAdam	McAdam
Spectrum	Spektrum	Premium White	Premium White
Infrared radiation	Infrarotstrahlung	<1	%
UV radiation	UV-Strahlung	0	%
Dimming Capability	Regelbarkeit	/	
Dimming range	Dimmbar	/	
protection class	Schutzklasse	1	
IP rating	Schutzart	IP20	
start up time	Anlaufzeit	<1	(Sekunden/seconds)
overload protection	Überlastschutz	<input checked="" type="checkbox"/>	
short-circuit proof	Kurzschlusschutz	<input checked="" type="checkbox"/>	
voltage feed	Spannungsversorgung	220 - 240V +/- 10%	50- 60 Hz
ambient temperature	Umgebungstemperatur	0° - 30°C	Typical Ta 25°C
cooling	Kühlung	Passiv	
warranty	Garantie	5	Jahre / Years
Extrapolation TC-Life LED	Hochrechnung TC-Life LED	44'000 h / TC 62°C / L90B10 / Ta 25°C	
Extrapolation TC-Life Driver	Hochrechnung TC-Life Driver	7 Years - 3% failure rate@19hrs/day 10 Years - 5% failure rate@13hrs/day	@ TC 85°C / Ta -20°C - 35°C @ TC 85°C / Ta -20°C - 35°C



Other configurations are available on request

The technical data represent rated values for an ambient temperature of 25°C. The data values for the luminous flux are initially subject to a tolerance of +/- 10%, those for the electrical connected load are initially subject to a tolerance of +/- 10%, those for the CRI +/- 1.5 and those for the colour temperature are initially subject to a tolerance of +/- 150 K. No liability is assumed for typographical or printing errors
Technische Änderungen vorbehalten / Technical specifications are subject to optimize