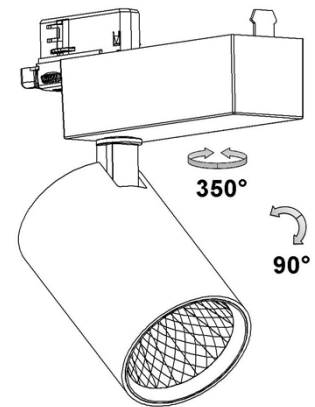
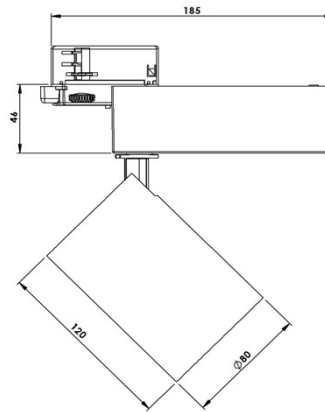


# BTO 75 - ON TRACK



## BTO 75 - ON TRACK -Part.No.:1.41292 - SLM G7 LES 15 PW 830\_700mA\_3490 lm\_27 W\_Ta 25°C

|                         |                           |                                       |                             |
|-------------------------|---------------------------|---------------------------------------|-----------------------------|
| lightsource             | Lichtquelle               | Philips SLM C 830 PW 1208 L15 2024 G7 |                             |
| Driver                  | Vorschaltgerät            | Xitanium 32W/m 0.7A 46V SC 230V       |                             |
| Efficiency Fixture      | Effizienz Leuchtensystem  | 126                                   | (lm/W) @Tc 62°C             |
| Efficiency LED          | Effizienz LED             | 156                                   | (lm/W)@Tc 62°C              |
| LOR Reflector           | Wirkungsgrad Reflektor    | 93%                                   | (% Average)                 |
| Reflectors              | Reflektoren               | ~ 19°, 24°, 33°, 64°                  | FWHM / Total beam angle (°) |
| Reflector Finish        | Reflektoren Veredelung    | Alanod Miro Silver_ 98% reflectivity  |                             |
| Reflector Design        | Reflektoren Design        | ULTRA                                 |                             |
| Total Power Consumption | Anschlussleistung Leuchte | 27,6                                  | (Watt)                      |
| LED Power               | LED Leistung              | 24                                    | (Watt)                      |
| Initial Lumen LED       | Lichtstrom LED warm       | 3750                                  | (Lumen @Tc 62°C)            |
| Initial Lumen fixture   | Lichtstrom Leuchte warm   | 3488                                  | (Lumen @ Tc 62°C)           |
| Luminaire colors        | Leuchten Farben           | white, black, silver                  |                             |

|                             |                        |               |               |
|-----------------------------|------------------------|---------------|---------------|
| Color Temperature           | Farbtemperatur         | 3000          | (K)           |
| Color rendering Index - CRI | Farbwiedergabe Typisch | 82            | (CRI - Ra)    |
| Color stability - Binning   | Farbstabilität McAdam  | 3-Step McAdam | McAdam        |
| Spectrum                    | Spektrum               | Premium White | Premium White |
| track adapter               | Adapter                | Global GA69   |               |
| Infrared radiation          | Infrarotstrahlung      | <1            | %             |
| UV radiation                | UV-Strahlung           | 0             | %             |

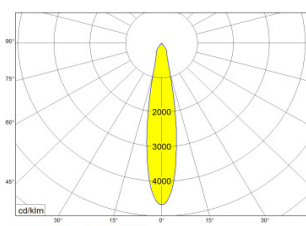
|                    |              |      |  |
|--------------------|--------------|------|--|
| Dimming Capability | Regelbarkeit | /    |  |
| Dimming range      | Dimmbar      | /    |  |
| protection class   | Schutzklasse | 1    |  |
| IP rating          | Schutzart    | IP20 |  |

|                     |                     |                                     |                    |
|---------------------|---------------------|-------------------------------------|--------------------|
| start up time       | Anlaufzeit          | <1                                  | (Sekunden/seconds) |
| overload protection | Überlastschutz      | <input checked="" type="checkbox"/> |                    |
| short-circuit proof | Kurzschlusschutz    | <input checked="" type="checkbox"/> |                    |
| voltage feed        | Spannungsversorgung | 220 - 240V +/- 10%                  | 50- 60 Hz          |

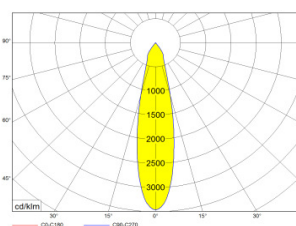
|                     |                     |           |                 |
|---------------------|---------------------|-----------|-----------------|
| ambient temperature | Umgebungstemperatur | 0° - 30°C | Typical Ta 25°C |
| cooling             | Kühlung             | Passiv    |                 |

|                              |                             |                                       |               |
|------------------------------|-----------------------------|---------------------------------------|---------------|
| warranty                     | Garantie                    | 5                                     | Jahre / Years |
| Extrapolation TC-Life LED    | Hochrechnung TC-Life LED    | 44'000 h / TC 62°C / L90B10 / Ta 25°C |               |
| Extrapolation TC-Life Driver | Hochrechnung TC-Life Driver | 50'000 h / TC 61°C / C 5 / Ta 25°C    |               |

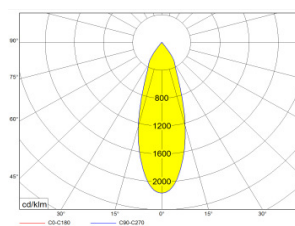
SP - 115355S01397



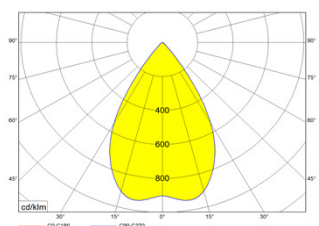
M - 115356S01388



F - 114991S01388



WFL - 115734S01387



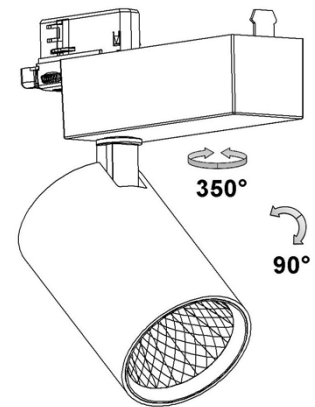
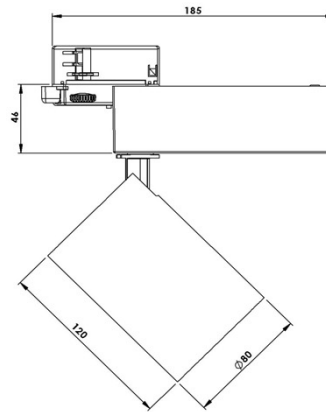
## Other configurations are available on request

The technical data represent rated values for an ambient temperature of 25°C. The data values for the luminous flux are initially subject to a tolerance of +/- 10%, those for the electrical connected load are initially subject to a tolerance of +/- 10%, those for the CRI +/- 1.5 and those for the colour temperature are initially subject to a tolerance of +/- 150 K. No liability is assumed for typographical or printing errors

Technische Änderungen vorbehalten / Technical specifications are subject to optimize

V1 Stand 03.12.2018

# BTO 75 - ON TRACK



## BTO 75 - ON TRACK -Part.No.:1.41292 - SLM G7 LES 15 PW 930\_700mA\_2970 lm\_27 W\_Ta 25°C

|                         |                           |                                       |                             |
|-------------------------|---------------------------|---------------------------------------|-----------------------------|
| lightsource             | Lichtquelle               | Philips SLM C 930 PW 1208 L15 2024 G7 |                             |
| Driver                  | Vorschaltgerät            | Xitanium 32W/m 0.7A 46V SC 230V       |                             |
| Efficiency Fixture      | Effizienz Leuchtensystem  | 108                                   | (lm/W) @Tc 62°C             |
| Efficiency LED          | Effizienz LED             | 133                                   | (lm/W)@Tc 62°C              |
| LOR Reflector           | Wirkungsgrad Reflektor    | 93%                                   | (% Average)                 |
| Reflectors              | Reflektoren               | ~ 19°, 24°, 33°, 64°                  | FWHM / Total beam angle (°) |
| Reflector Finish        | Reflektoren Veredelung    | Alanod Miro Silver_ 98% reflectivity  |                             |
| Reflector Design        | Reflektoren Design        | ULTRA                                 |                             |
| Total Power Consumption | Anschlussleistung Leuchte | 27,6                                  | (Watt)                      |
| LED Power               | LED Leistung              | 24                                    | (Watt)                      |
| Initial Lumen LED       | Lichtstrom LED warm       | 3194                                  | (Lumen @Tc 62°C)            |
| Initial Lumen fixture   | Lichtstrom Leuchte warm   | 2970                                  | (Lumen @ Tc 62°C)           |
| Luminaire colors        | Leuchten Farben           | white, black, silver                  |                             |

|                             |                        |               |               |
|-----------------------------|------------------------|---------------|---------------|
| Color Temperature           | Farbtemperatur         | 3000          | (K)           |
| Color rendering Index - CRI | Farbwiedergabe Typisch | 92            | (CRI - Ra)    |
| Color stability - Binning   | Farbstabilität McAdam  | 3-Step McAdam | McAdam        |
| Spectrum                    | Spektrum               | Premium White | Premium White |
| track adapter               | Adapter                | Global GA69   |               |
| Infrared radiation          | Infrarotstrahlung      | <1            | %             |
| UV radiation                | UV-Strahlung           | 0             | %             |

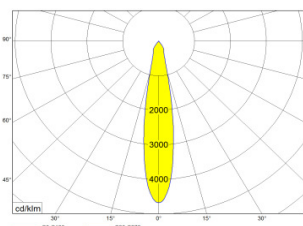
|                    |              |      |  |
|--------------------|--------------|------|--|
| Dimming Capability | Regelbarkeit | /    |  |
| Dimming range      | Dimmbar      | /    |  |
| protection class   | Schutzklasse | 1    |  |
| IP rating          | Schutzart    | IP20 |  |

|                     |                     |                                     |                    |
|---------------------|---------------------|-------------------------------------|--------------------|
| start up time       | Anlaufzeit          | <1                                  | (Sekunden/seconds) |
| overload protection | Überlastschutz      | <input checked="" type="checkbox"/> |                    |
| short-circuit proof | Kurzschlusschutz    | <input checked="" type="checkbox"/> |                    |
| voltage feed        | Spannungsversorgung | 220 - 240V +/- 10%                  | 50- 60 Hz          |

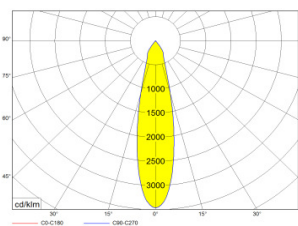
|                     |                     |           |                 |
|---------------------|---------------------|-----------|-----------------|
| ambient temperature | Umgebungstemperatur | 0° - 30°C | Typical Ta 25°C |
| cooling             | Kühlung             | Passiv    |                 |

|                              |                             |                                       |               |
|------------------------------|-----------------------------|---------------------------------------|---------------|
| warranty                     | Garantie                    | 5                                     | Jahre / Years |
| Extrapolation TC-Life LED    | Hochrechnung TC-Life LED    | 44'000 h / TC 62°C / L90B10 / Ta 25°C |               |
| Extrapolation TC-Life Driver | Hochrechnung TC-Life Driver | 50'000 h / TC 61°C / C 5 / Ta 25°C    |               |

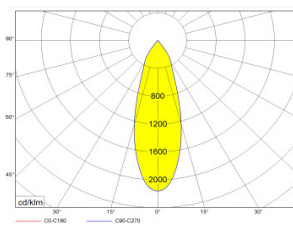
SP - 115355S01397



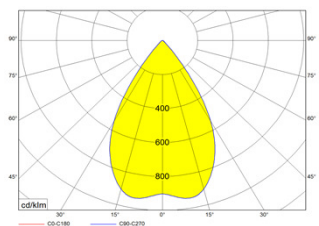
M - 115356S01388



F - 114991S01388



WFL - 115734S01387



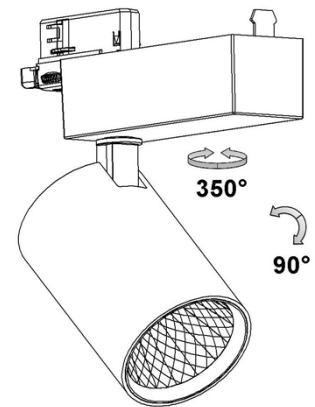
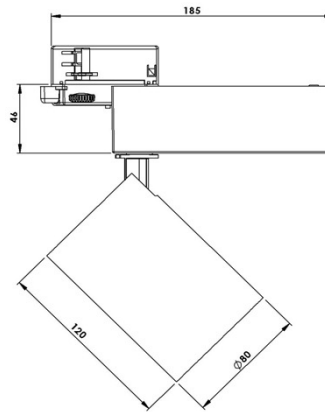
### Other configurations are available on request

The technical data represent rated values for an ambient temperature of 25°C. The data values for the luminous flux are initially subject to a tolerance of +/- 10%, those for the electrical connected load are initially subject to a tolerance of +/- 10%, those for the CRI +/- 1.5 and those for the colour temperature are initially subject to a tolerance of +/- 150 K. No liability is assumed for typographical or printing errors

Technische Änderungen vorbehalten / Technical specifications are subject to optimize

V1 Stand 03.12.2018

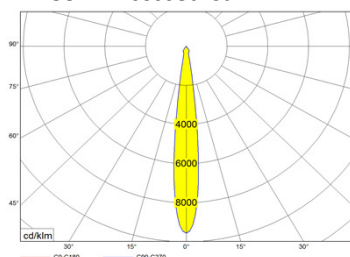
# BTO 75 - ON TRACK



## BTO 75 - ON TRACK -Part.No.:1.41292 - SLM G7 LES 9 PW 830\_700mA\_2728 lm\_30 W\_Ta 25°C

|                              |                             |                                       |                             |
|------------------------------|-----------------------------|---------------------------------------|-----------------------------|
| lightsource                  | Lichtquelle                 | Philips SLM C 830 PW 1204 L9 1619 G7  |                             |
| Driver                       | Vorschaltgerät              | Xitanium 32W/m 0.7A 46V SC 230V       |                             |
| Efficiency Fixture           | Effizienz Leuchtensystem    | 98                                    | (lm/W) @Tc 62°C             |
| Efficiency LED               | Effizienz LED               | 113                                   | (lm/W)@Tc 62°C              |
| LOR Reflector                | Wirkungsgrad Reflektor      | 93%                                   | (% Average)                 |
| Reflectors                   | Reflektoren                 | ~ 13°                                 | FWHM / Total beam angle (°) |
| Reflector Finish             | Reflektoren Veredelung      | Alanod Miro Silver_ 98% reflectivity  |                             |
| Reflector Design             | Reflektoren Design          | ULTRA                                 |                             |
| Total Power Consumption      | Anschlussleistung Leuchte   | 30                                    | (Watt)                      |
| LED Power                    | LED Leistung                | 26                                    | (Watt)                      |
| Initial Lumen LED            | Lichtstrom LED warm         | 2933                                  | (Lumen @Tc 62°C)            |
| Initial Lumen fixture        | Lichtstrom Leuchte warm     | 2728                                  | (Lumen @ Tc 62°C)           |
| Luminaire colors             | Leuchten Farben             | white, black, silver                  |                             |
| Color Temperature            | Farbtemperatur              | 3000                                  | (K)                         |
| Color rendering Index - CRI  | Farbwiedergabe Typisch      | 82                                    | (CRI - Ra)                  |
| Color stability - Binning    | Farbstabilität McAdam       | 3-Step McAdam                         | McAdam                      |
| Spectrum                     | Spektrum                    | Premium White                         | Premium White               |
| track adapter                | Adapter                     | Global GA69                           |                             |
| Infrared radiation           | Infrarotstrahlung           | <1                                    | %                           |
| UV radiation                 | UV-Strahlung                | 0                                     | %                           |
| Dimming Capability           | Regelbarkeit                | /                                     |                             |
| Dimming range                | Dimmbar                     | /                                     |                             |
| protection class             | Schutzklasse                | 1                                     |                             |
| IP rating                    | Schutzart                   | IP20                                  |                             |
| start up time                | Anlaufzeit                  | <1                                    | (Sekunden/seconds)          |
| overload protection          | Überlastschutz              | <input checked="" type="checkbox"/>   |                             |
| short-circuit proof          | Kurzschlusschutz            | <input checked="" type="checkbox"/>   |                             |
| voltage feed                 | Spannungsversorgung         | 220 - 240V +/- 10%                    | 50- 60 Hz                   |
| ambient temperature          | Umgebungstemperatur         | 0° - 30°C                             | Typical Ta 25°C             |
| cooling                      | Kühlung                     | Passiv                                |                             |
| warranty                     | Garantie                    | 5                                     | Jahre / Years               |
| Extrapolation TC-Life LED    | Hochrechnung TC-Life LED    | 44'000 h / TC 62°C / L90B10 / Ta 25°C |                             |
| Extrapolation TC-Life Driver | Hochrechnung TC-Life Driver | 50'000 h / TC 61°C / C 5 / Ta 25°C    |                             |

SSP - 115355S01397



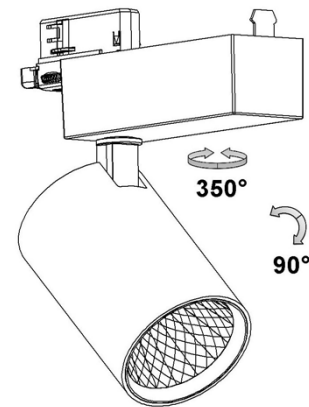
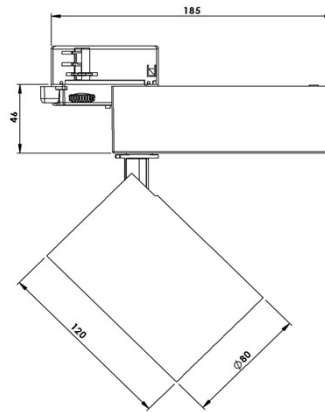
### Other configurations are available on request

The technical data represent rated values for an ambient temperature of 25°C. The data values for the luminous flux are initially subject to a tolerance of +/- 10%, those for the electrical connected load are initially subject to a tolerance of +/- 10%, those for the CRI +/- 1.5 and those for the colour temperature are initially subject to a tolerance of +/- 150 K. No liability is assumed for typographical or printing errors

Technische Änderungen vorbehalten / Technical specifications are subject to optimize

V1 Stand 03.12.2018

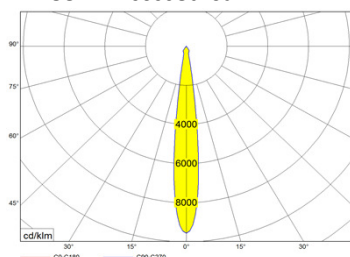
# BTO 75 - ON TRACK



## BTO 75 - ON TRACK -Part.No.:1.41292 - SLM G7 LES 9 PW 930\_700mA\_2280 lm\_30 W\_Ta 25°C

|                              |                             |                                       |                             |
|------------------------------|-----------------------------|---------------------------------------|-----------------------------|
| lightsource                  | Lichtquelle                 | Philips SLM C 830 PW 1204 L9 1619 G7  |                             |
| Driver                       | Vorschaltgerät              | Xitanium 32W/m 0.7A 46V SC 230V       |                             |
| Efficiency Fixture           | Effizienz Leuchtensystem    | 82                                    | (lm/W) @Tc 62°C             |
| Efficiency LED               | Effizienz LED               | 95                                    | (lm/W)@Tc 62°C              |
| LOR Reflector                | Wirkungsgrad Reflektor      | 93%                                   | (% Average)                 |
| Reflectors                   | Reflektoren                 | ~ 13°                                 | FWHM / Total beam angle (°) |
| Reflector Finish             | Reflektoren Veredelung      | Alanod Miro Silver_ 98% reflectivity  |                             |
| Reflector Design             | Reflektoren Design          | ULTRA                                 |                             |
| Total Power Consumption      | Anschlussleistung Leuchte   | 30                                    | (Watt)                      |
| LED Power                    | LED Leistung                | 26                                    | (Watt)                      |
| Initial Lumen LED            | Lichtstrom LED warm         | 2456                                  | (Lumen @Tc 62°C)            |
| Initial Lumen fixture        | Lichtstrom Leuchte warm     | 2284                                  | (Lumen @ Tc 62°C)           |
| Luminaire colors             | Leuchten Farben             | white, black, silver                  |                             |
| Color Temperature            | Farbtemperatur              | 3000                                  | (K)                         |
| Color rendering Index - CRI  | Farbwiedergabe Typisch      | 92                                    | (CRI - Ra)                  |
| Color stability - Binning    | Farbstabilität McAdam       | 3-Step McAdam                         | McAdam                      |
| Spectrum                     | Spektrum                    | Premium White                         | Premium White               |
| track adapter                | Adapter                     | Global GA69                           |                             |
| Infrared radiation           | Infrarotstrahlung           | <1                                    | %                           |
| UV radiation                 | UV-Strahlung                | 0                                     | %                           |
| Dimming Capability           | Regelbarkeit                | /                                     |                             |
| Dimming range                | Dimmbar                     | /                                     |                             |
| protection class             | Schutzklasse                | 1                                     |                             |
| IP rating                    | Schutzart                   | IP20                                  |                             |
| start up time                | Anlaufzeit                  | <1                                    | (Sekunden/seconds)          |
| overload protection          | Überlastschutz              | <input checked="" type="checkbox"/>   |                             |
| short-circuit proof          | Kurzschlusschutz            | <input checked="" type="checkbox"/>   |                             |
| voltage feed                 | Spannungsversorgung         | 220 - 240V +/- 10%                    | 50- 60 Hz                   |
| ambient temperature          | Umgebungstemperatur         | 0° - 30°C                             | Typical Ta 25°C             |
| cooling                      | Kühlung                     | Passiv                                |                             |
| warranty                     | Garantie                    | 5                                     | Jahre / Years               |
| Extrapolation TC-Life LED    | Hochrechnung TC-Life LED    | 44'000 h / TC 62°C / L90B10 / Ta 25°C |                             |
| Extrapolation TC-Life Driver | Hochrechnung TC-Life Driver | 50'000 h / TC 61°C / C 5 / Ta 25°C    |                             |

SSP - 115355S01397



### Other configurations are available on request

The technical data represent rated values for an ambient temperature of 25°C. The data values for the luminous flux are initially subject to a tolerance of +/- 10%, those for the electrical connected load are initially subject to a tolerance of +/- 10%, those for the CRI +/- 1.5 and those for the colour temperature are initially subject to a tolerance of +/- 150 K. No liability is assumed for typographical or printing errors

Technische Änderungen vorbehalten / Technical specifications are subject to optimize

V1 Stand 03.12.2018