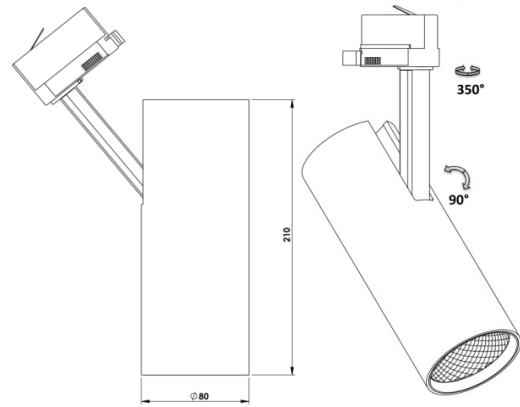


BTO 75



BTO 75 -Part.No.:1.41269 - SLM G7 LES 15 PW 830_700mA_3500 lm_27 W_Ta 25 °C

lightsource	Lichtquelle	Philips SLM C 830 PW 1208 L15 2024 G7	
Driver	Vorschaltgerät	Xitanium 32W/m 0.7A 46V SC 230V	
Efficiency Fixture	Effizienz Leuchtsystem	127	(lm/W) @Tc 59°C
Efficiency LED	Effizienz LED	157	(lm/W)@Tc 59°C
LOR Reflector	Wirkungsgrad Reflektor	93%	(% Average)
Reflectors	Reflektoren	~ 19°, 24°, 33°, 64°	FWHM / Total beam angle (°)
Reflector Finish	Reflektoren Veredelung	Alanod Miro Silver_ 98% reflectivity	
Reflector Design	Reflektoren Design	ULTRA	
Total Power Consumption	Anschlussleistung Leuchte	27,6	(Watt)
LED Power	LED Leistung	24	(Watt)
Initial Lumen LED	Lichtstrom LED warm	3767	(Lumen @Tc 59°C)
Initial Lumen fixture	Lichtstrom Leuchte warm	3503	(Lumen @ Tc 59°C)
Luminaire colors	Leuchten Farben	white, black, silver	

Color Temperature	Farbtemperatur	3000	(K)
Color rendering Index - CRI	Farbwiedergabe Typisch	82	(CRI - Ra)
Color stability - Binning	Farbstabilität McAdam	3-Step McAdam	McAdam
Spectrum	Spektrum	Premium White	Premium White
track adapter	Adapter	Global GA69	
Infrared radiation	Infrarotstrahlung	<1	%
UV radiation	UV-Strahlung	0	%

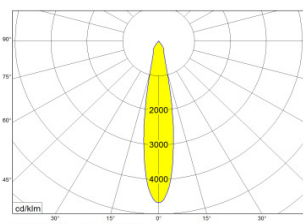
Dimming Capability	Regelbarkeit	/	
Dimming range	Dimmbar	/	
protection class	Schutzklasse	1	
IP rating	Schutzart	IP20	

start up time	Anlaufzeit	<1	(Sekunden/seconds)
overload protection	Überlastschutz	<input checked="" type="checkbox"/>	
short-circuit proof	Kurzschlusschutz	<input checked="" type="checkbox"/>	
voltage feed	Spannungsversorgung	220 - 240V +/- 10%	50- 60 Hz

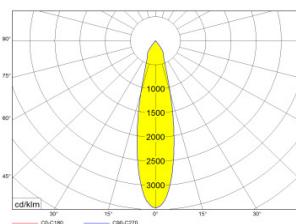
ambient temperature	Umgebungstemperatur	0° - 30°C	Typical Ta 25°C
cooling	Kühlung	Passiv	

warranty	Garantie	5	Jahre / Years
Extrapolation TC-Life LED	Hochrechnung TC-Life LED	48'000 h / TC 59°C / L90B10 / Ta 25°C	
Extrapolation TC-Life Driver	Hochrechnung TC-Life Driver	43'000 h / TC 72°C / C 5 / Ta 25°C	

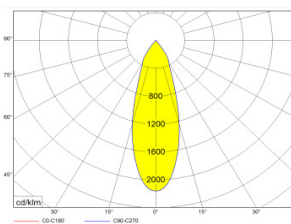
SP - 115355S01397



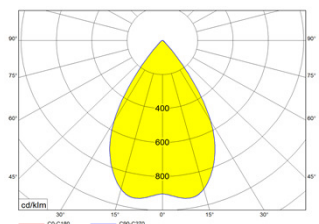
M - 115356S01388



F - 114991S01388



WFL - 115734S01387



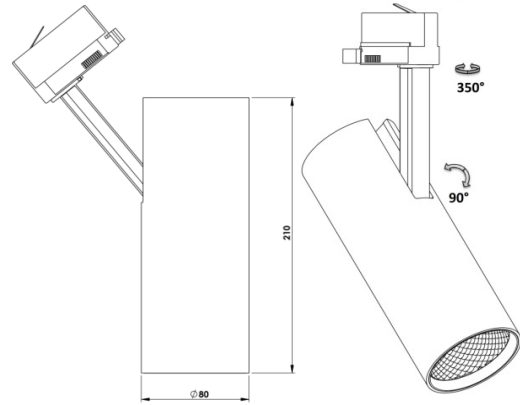
Other configurations are available on request

The technical data represent rated values for an ambient temperature of 25°C. The data values for the luminous flux are initially subject to a tolerance of +/- 10%, those for the electrical connected load are initially subject to a tolerance of +/- 10%, those for the CRI +/- 1.5 and those for the colour temperature are initially subject to a tolerance of +/- 150 K. No liability is assumed for typographical or printing errors

Technische Änderungen vorbehalten / Technical specifications are subject to optimize

V1 Stand 03.12.2018

BTO 75



BTO 75 -Part.No.:1.41269 - SLM G7 LES 15 PW 930_700mA_2980 lm_27 W_Ta 25 °C

lightsource	Lichtquelle	Philips SLM C 930 PW 1208 L15 2024 G7	
Driver	Vorschaltgerät	Xitanium 32W/m 0.7A 46V SC 230V	
Efficiency Fixture	Effizienz Leuchtsystem	108	(lm/W) @Tc 59°C
Efficiency LED	Effizienz LED	134	(lm/W)@Tc 59°C
LOR Reflector	Wirkungsgrad Reflektor	93%	(% Average)
Reflectors	Reflektoren	~ 19°, 24°, 33°, 64°	
Reflector Finish	Reflektoren Veredelung	Alanod Miro Silver_ 98% reflectivity	
Reflector Design	Reflektoren Design	ULTRA	
Total Power Consumption	Anschlussleistung Leuchte	27,6	(Watt)
LED Power	LED Leistung	24	(Watt)
Initial Lumen LED	Lichtstrom LED warm	3208	(Lumen @Tc 59°C)
Initial Lumen fixture	Lichtstrom Leuchte warm	2983	(Lumen @ Tc 59°C)
Luminaire colors	Leuchten Farben	white, black, silver	

Color Temperature	Farbtemperatur	3000	(K)
Color rendering Index - CRI	Farbwiedergabe Typisch	92	(CRI - Ra)
Color stability - Binning	Farbstabilität McAdam	3-Step McAdam	McAdam
Spectrum	Spektrum	Premium White	Premium White
track adapter	Adapter	Global GA69	
Infrared radiation	Infrarotstrahlung	<1	%
UV radiation	UV-Strahlung	0	%

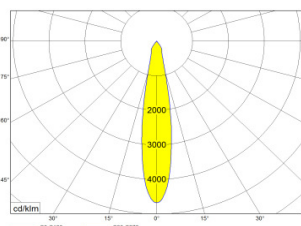
Dimming Capability	Regelbarkeit	/	
Dimming range	Dimmbar	/	
protection class	Schutzklasse	1	
IP rating	Schutzart	IP20	

start up time	Anlaufzeit	<1	(Sekunden/seconds)
overload protection	Überlastschutz	<input checked="" type="checkbox"/>	
short-circuit proof	Kurzschlusschutz	<input checked="" type="checkbox"/>	
voltage feed	Spannungsversorgung	220 - 240V +/- 10%	50- 60 Hz

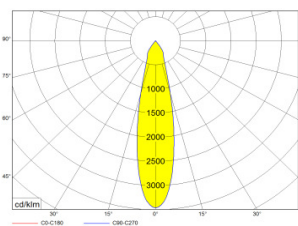
ambient temperature	Umgebungstemperatur	0° - 30°C	Typical Ta 25°C
cooling	Kühlung	Passiv	

warranty	Garantie	5	Jahre / Years
Extrapolation TC-Life LED	Hochrechnung TC-Life LED	48'000 h / TC 59°C / L90B10 / Ta 25°C	
Extrapolation TC-Life Driver	Hochrechnung TC-Life Driver	43'000 h / TC 72°C / C 5 / Ta 25°C	

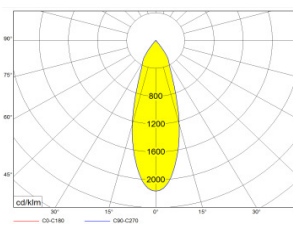
SP - 115355S01397



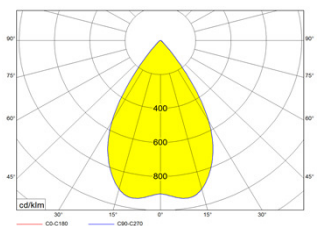
M - 115356S01388



F - 114991S01388



WFL - 115734S01387



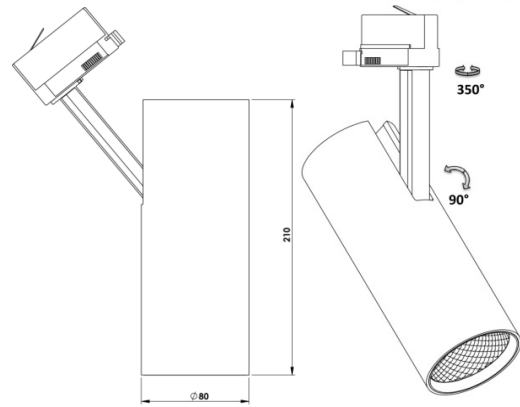
Other configurations are available on request

The technical data represent rated values for an ambient temperature of 25°C. The data values for the luminous flux are initially subject to a tolerance of +/- 10%, those for the electrical connected load are initially subject to a tolerance of +/- 10%, those for the CRI +/- 1.5 and those for the colour temperature are initially subject to a tolerance of +/- 150 K. No liability is assumed for typographical or printing errors

Technische Änderungen vorbehalten / Technical specifications are subject to optimize

V1 Stand 03.12.2018

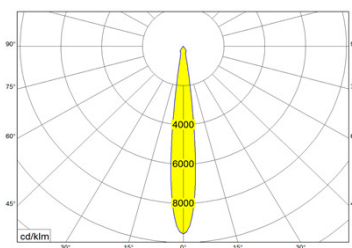
BTO 75



BTO 75 -Part.No.:1.41269 - SLM G7 LES 9 PW 830_700mA_2747 lm_30W_Ta 25°C

lightsource	Lichtquelle	Philips SLM C 830 PW 1204 L9 1619 G7	
Driver	Vorschaltgerät	Xitanium 32W/m 0.7A 46V SC 230V	
Efficiency Fixture	Effizienz Leuchtensystem	98	(lm/W) @Tc 59°C
Efficiency LED	Effizienz LED	114	(lm/W)@Tc 59°C
LOR Reflector	Wirkungsgrad Reflektor	93%	(% Average)
Reflectors	Reflektoren	~ 13°	FWHM / Total beam angle (°)
Reflector Finish	Reflektoren Veredelung	Alanod Miro Silver_ 98% reflectivity	
Reflector Design	Reflektoren Design	ULTRA	
Total Power Consumption	Anschlussleistung Leuchte	29,9	(Watt)
LED Power	LED Leistung	26	(Watt)
Initial Lumen LED	Lichtstrom LED warm	2747	(Lumen @Tc 59°C)
Initial Lumen fixture	Lichtstrom Leuchte warm	2954	(Lumen @ Tc 59°C)
Luminaire colors	Leuchten Farben	white, black, silver	
Color Temperature	Farbtemperatur	3000	(K)
Color rendering Index - CRI	Farbwiedergabe Typisch	82	(CRI - Ra)
Color stability - Binning	Farbstabilität McAdam	3-Step McAdam	McAdam
Spectrum	Spektrum	Premium White	Premium White
track adapter	Adapter	Global GA69	
Infrared radiation	Infrarotstrahlung	<1	%
UV radiation	UV-Strahlung	0	%
Dimming Capability	Regelbarkeit	/	
Dimming range	Dimmbar	/	
protection class	Schutzklasse	1	
IP rating	Schutzart	IP20	
start up time	Anlaufzeit	<1	(Sekunden/seconds)
overload protection	Überlastschutz	<input checked="" type="checkbox"/>	
short-circuit proof	Kurzschlusschutz	<input checked="" type="checkbox"/>	
voltage feed	Spannungsversorgung	220 - 240V +/- 10%	50- 60 Hz
ambient temperature	Umgebungstemperatur	0° - 30°C	Typical Ta 25°C
cooling	Kühlung	Passiv	
warranty	Garantie	5	Jahre / Years
Extrapolation TC-Life LED	Hochrechnung TC-Life LED	48'000 h / TC 59°C / L90B10 / Ta 25°C	
Extrapolation TC-Life Driver	Hochrechnung TC-Life Driver	43'000 h / TC 72°C / C 5 / Ta 25°C	

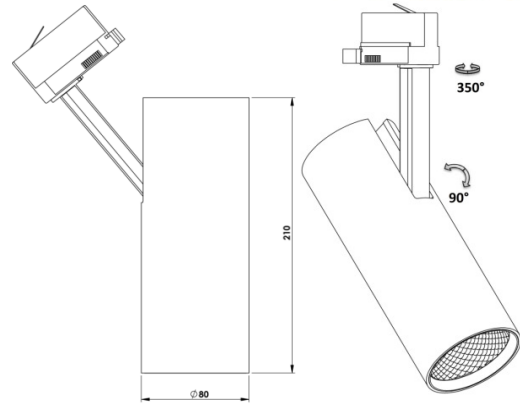
SSP - 115355S01397



Other configurations are available on request

The technical data represent rated values for an ambient temperature of 25°C. The data values for the luminous flux are initially subject to a tolerance of +/- 10%, those for the electrical connected load are initially subject to a tolerance of +/- 10%, those for the CRI +/- 1.5 and those for the colour temperature are initially subject to a tolerance of +/- 150 K. No liability is assumed for typographical or printing errors
 Technische Änderungen vorbehalten / Technical specifications are subject to optimize

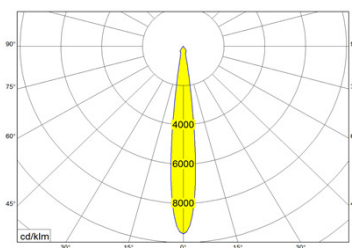
BTO 75



BTO 75 -Part.No.:1.41269 - SLM G7 LES 9 PW 930_700mA_2300 lm_30W_Ta 25°C

lightsource	Lichtquelle	Philips SLM C 930 PW 1204 L9 1619 G7	
Driver	Vorschaltgerät	Xitanium 32W/m 0.7A 46V SC 230V	
Efficiency Fixture	Effizienz Leuchtsystem	82	(lm/W) @Tc 59°C
Efficiency LED	Effizienz LED	95	(lm/W)@Tc 59°C
LOR Reflector	Wirkungsgrad Reflektor	93%	(% Average)
Reflectors	Reflektoren	~ 13°	FWHM / Total beam angle (°)
Reflector Finish	Reflektoren Veredelung	Alanod Miro Silver_ 98% reflectivity	
Reflector Design	Reflektoren Design	ULTRA	
Total Power Consumption	Anschlussleistung Leuchte	29,9	(Watt)
LED Power	LED Leistung	26	(Watt)
Initial Lumen LED	Lichtstrom LED warm	2474	(Lumen @Tc 59°C)
Initial Lumen fixture	Lichtstrom Leuchte warm	2300	(Lumen @ Tc 59°C)
Luminaire colors	Leuchten Farben	white, black, silver	
Color Temperature	Farbtemperatur	3000	(K)
Color rendering Index - CRI	Farbwiedergabe Typisch	92	(CRI - Ra)
Color stability - Binning	Farbstabilität McAdam	3-Step McAdam	McAdam
Spectrum	Spektrum	Premium White	Premium White
track adapter	Adapter	Global GA69	
Infrared radiation	Infrarotstrahlung	<1	%
UV radiation	UV-Strahlung	0	%
Dimming Capability	Regelbarkeit	/	
Dimming range	Dimmbar	/	
protection class	Schutzklasse	1	
IP rating	Schutzart	IP20	
start up time	Anlaufzeit	<1	(Sekunden/seconds)
overload protection	Überlastschutz	<input checked="" type="checkbox"/>	
short-circuit proof	Kurzschlusschutz	<input checked="" type="checkbox"/>	
voltage feed	Spannungsversorgung	220 - 240V +/- 10%	50- 60 Hz
ambient temperature	Umgebungstemperatur	0° - 30°C	Typical Ta 25°C
cooling	Kühlung	Passiv	
warranty	Garantie	5	Jahre / Years
Extrapolation TC-Life LED	Hochrechnung TC-Life LED	48'000 h / TC 59°C / L90B10 / Ta 25°C	
Extrapolation TC-Life Driver	Hochrechnung TC-Life Driver	43'000 h / TC 72°C / C 5 / Ta 25°C	

SSP - 115355S01397



Other configurations are available on request

The technical data represent rated values for an ambient temperature of 25°C. The data values for the luminous flux are initially subject to a tolerance of +/- 10%, those for the electrical connected load are initially subject to a tolerance of +/- 10%, those for the CRI +/- 1.5 and those for the colour temperature are initially subject to a tolerance of +/- 150 K. No liability is assumed for typographical or printing errors

Technische Änderungen vorbehalten / Technical specifications are subject to optimize

V1 Stand 03.12.2018